



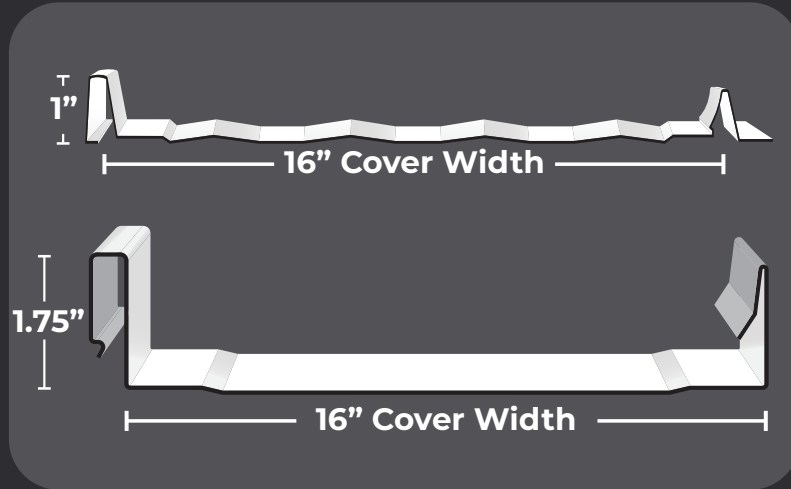
# Standing Seam

Standing Seam or concealed fastener metal panel system features vertical legs and a Flat broad or striated area between the two legs. Standing seam systems can be used for either metal roofing, which is the most common, or metal walls. The main idea to remember for standing seam systems is that the fastener is hidden.

**26**  
Gauge

AVAILABLE IN:  
**1"**  
&  
**1.75"**  
PROFILES

RECOMMENDED  
**3:12**  
PITCH  
AND ABOVE  
PER IBC\*



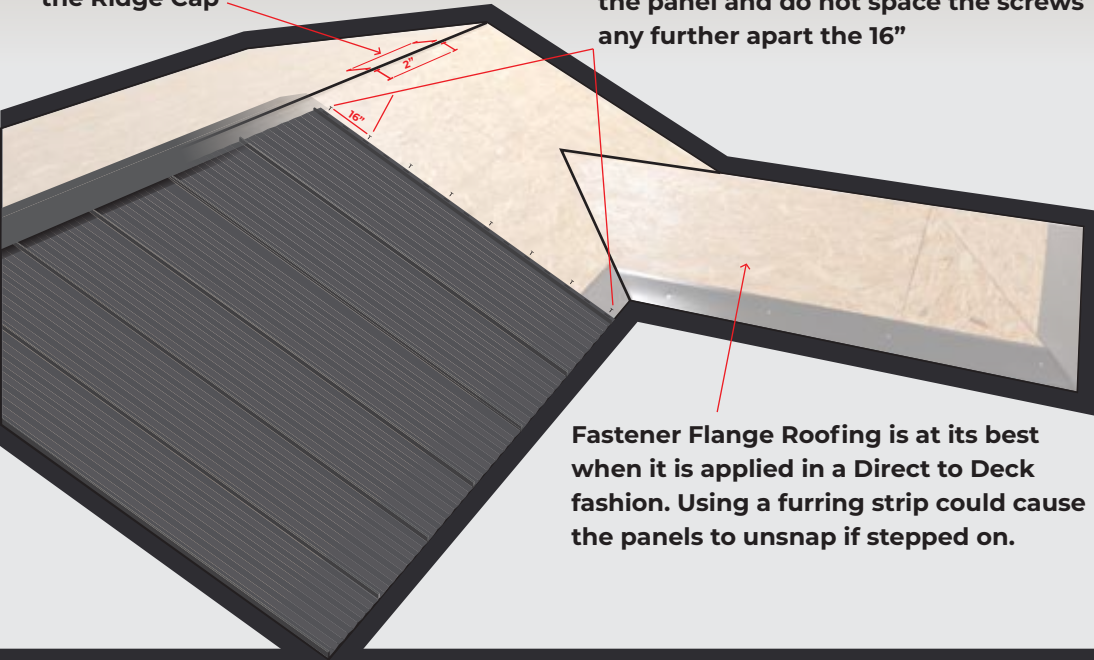
Manufactured with a Siphon Groove to minimize leaks and direct water down the panel.

Hidden fastening system for a sleek modern look and minimizes the potential leaks.

Unique lap groove that hides the overlap providing a smooth, clean appearance.

It is recommended to leave 2" at the top of the roof when needing to vent the Ridge Cap

Be sure to secure the top and bottom of the panel and do not space the screws any further apart the 16"



Fastener Flange Roofing is at its best when it is applied in a Direct to Deck fashion. Using a furring strip could cause the panels to unsnap if stepped on.



\*Remember to add 2" to your panel length for crimping over the eave.

## MINIMUM SPECIFICATION

Available Gauges: **26**

Steel Thickness: **0.0185"**

Paint System: **SHERWIN-WILLIAMS**  
Coil Coatings  
**SMP** WeatherXL™

Warranty:

40 Year Lifetime Limited Paint Adhesion

30 Year Chalk and Fade

Rust Protection Substrate:  
Galvalume AZ50

Testing:



- UL 580 Uplift (Class 90)
- UL 2218 Class 4 Impact Resistance
- UL 790 Class A Fire Rating

Delta Metals is neither partially or solely responsible for improper installation or defects as a result of installation

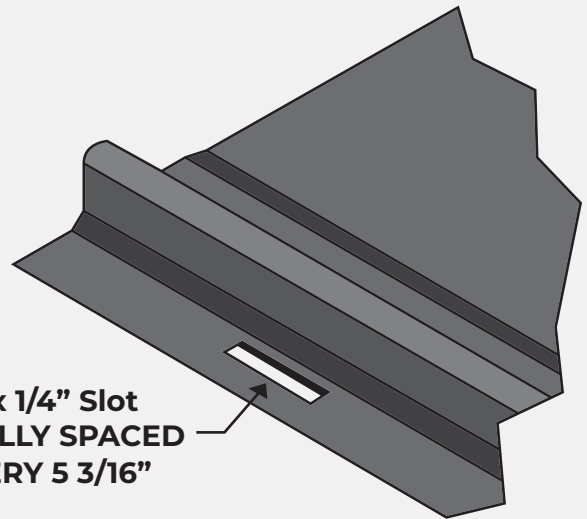
## Application Details

**Fastener Guide:**

10 x 1" Square Wafer, Premium Clip Screws. This is the recommended screw to go done into the sheeting of the roof and properly secure the panel.

**Fastener Application:**

Drive the screw into the slotted screw holes no further 16" apart. These slots are depicted below.



1" x 1/4" Slot  
EQUALLY SPACED  
EVERY 5 3/16"

**Please Note:** It is the responsibility of the builder to ensure that purlins are adequately spaced to meet specific engineering requirements.

Visit Us At:

**DELTAMETALS.COM**



**SHERWIN-WILLIAMS**  
Coil Coatings

